

To: Builders, Developers, HVAC/Plumbing Contractors, and
Inspection Departments

In the interest of safe and reliable service, Piedmont Natural Gas (PNG) has adopted these requirements for the installation of gas meters to customer's gas piping. Customer owned piping consists of pipe and fittings from the outlet of the meter to the equipment shutoff valve.

The International Fuel Gas Code (IFGC) is an integral part of these requirements. This code covers gas piping from the outlet of the gas meter to the inlet of the gas appliance, including appliance installations. Certain local governments have the responsibility for house piping inspections and testing. PNG requires an approved house piping inspection & pressure test performed by the local inspection department before setting the gas meter.

Qualified personnel shall install gas piping downstream of the meter at customer's expense. Customer is responsible for the installation and maintenance of the house piping and assumes all risk resulting from defects therein.

SCOPE

The following procedure prescribes requirements by PNG for connection to customer owned gas piping at the meter outlet.

PNG REQUIREMENT

PNG will set the gas meter and provide three feet or less of black steel pipe to connect to the customer's gas piping after the following conditions are met.

1. First Time Meter Sets At New And Existing Structures

- The customer's gas piping is black steel or galvanized steel.
- The customer's gas piping is corrugated stainless steel tubing (CSST), which has a manufacturer's termination fitting installed according to the manufacturer's installation instructions. CSST shall not be connected directly to the gas meter. See Appendix A for typical meter connections to CSST.

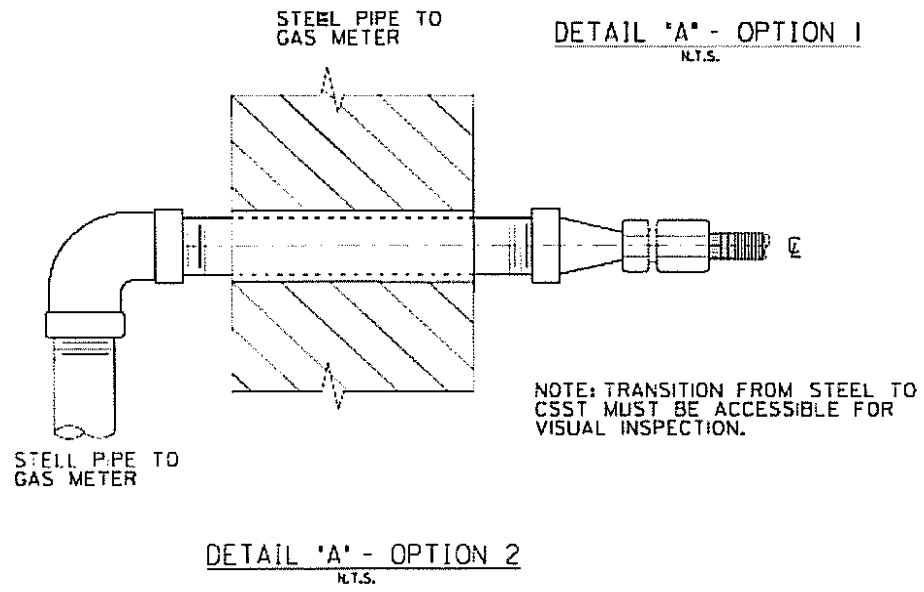
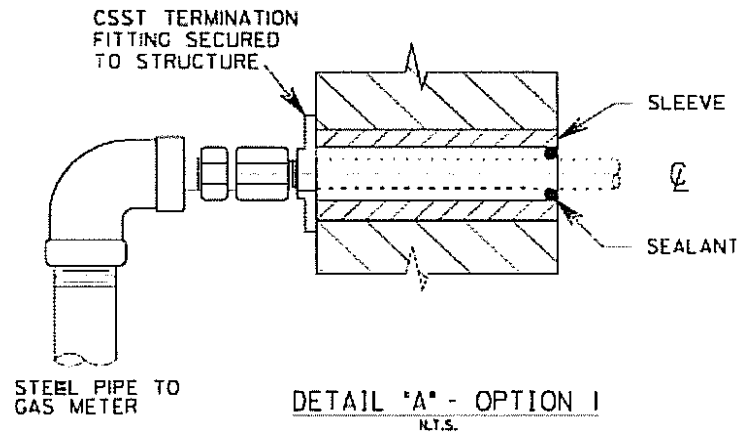
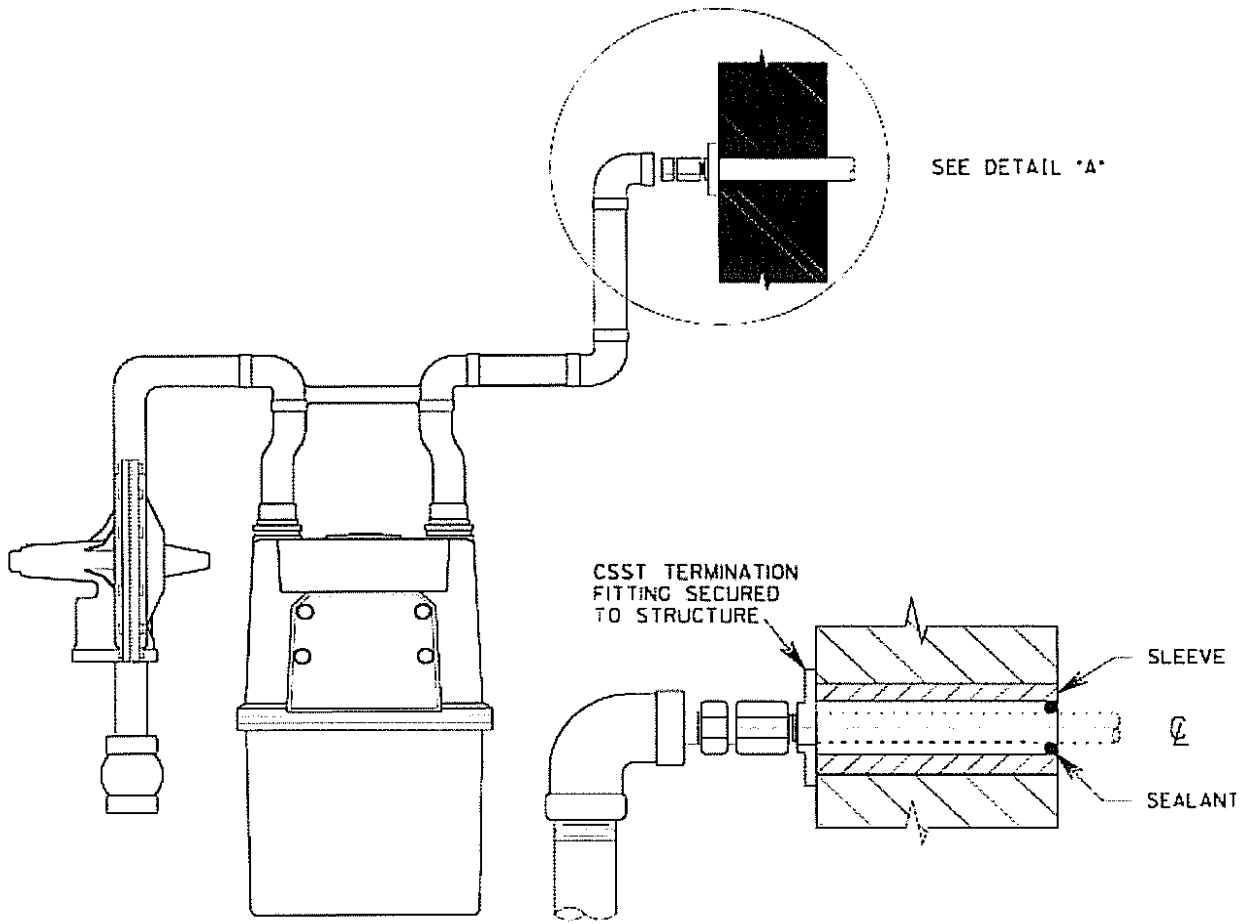
Note: Beginning January 1, 2009, PNG will no longer connect copper tubing directly to the gas meter on new meter sets. The transition from copper to steel must be made inside the structure. See Appendix B for typical transition from copper to steel pipe.

2. Meter Sets at Old Locations/Existing Structures.

- The customer's gas piping is deemed safe by the PNG service technician and can be used for the outlet of the meter connection.

Note: PNG service technicians shall notify the customer of unsafe conditions and the gas piping must be repaired or replaced before setting the meter. Service technicians must document findings and actions taken on service order remarks page.

Appendix A
Typical Gas Meter Connections for CSST



Appendix B
Typical Transition to Copper Tubing from Exterior Steel Pipe

